

## Trim for Swinging Patio Doors (Multi Point Lock Trim)

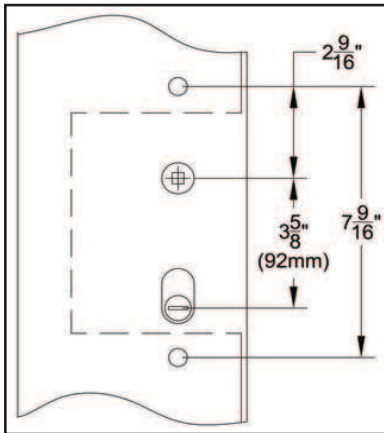
	<b>PAGE</b>
Door Configuration #1 _____ American Cylinder Hub Below Handle, 3 <sup>5</sup> / <sub>8</sub> " Center to Center ref. G-U®, Marvin Integrity®, KML by Andersen®, Atrium®, Superior®	5-8
Door Configuration #2 _____ American Cylinder Hub Above Handle, 3 <sup>5</sup> / <sub>8</sub> " Center to Center ref. G-U®, Eagle®, BiltBest®, Hurd® (Energy Save Line)	9-12
Door Configuration #3 _____ American Cylinder Hub Above Handle, 4 <sup>1</sup> / <sub>8</sub> " Center to Center, ref. Andersen®	13-16
Door Configuration #4 _____ American Cylinder Hub Above Handle, 3 <sup>5</sup> / <sub>8</sub> " Center to Center ref. Ashland®, Caradco®, Marvin®, Milgard® , PGT®, Jeldwen® Customer Collection (formerly Pozzi®)	17-20
Door Configuration #5 _____ Euro Profile Cylinder Below Handle, 3 <sup>5</sup> / <sub>8</sub> " Center to Center ref. Hoppe®, Hurd®, JELD-WEN®, Kolbe & Kolbe®, Lincoln®, Loewen®, Peachtree®, Premium Collection (formerly Norco®), Semco®, Vetter®, Weathershield®, Therma-Tru® , Willmar®, Sierra Pacific®, KfV®, Simpson®, Signature®, Crestline®, Windsor®	21-24
Door Configuration #6 _____ American Cylinder Hub Below Handle, 3 <sup>5</sup> / <sub>8</sub> " Center to Center ref. Pella®	25-28
Door Configuration #7 _____ American Cylinder Hub Above Handle, 6" Center to Center for doors made by W&F MANUFACTURING® (AKA Trillanium®)	29-31

### Disclaimer:

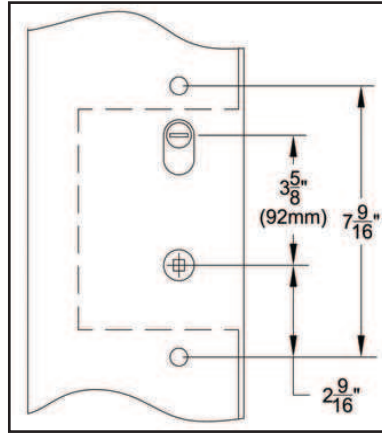
Door Manufacturers listed under each configuration are for reference only and are subject to change. Please contact Emtek's customer service department to confirm product model.

G-U® is a registered trademark of G-U Hardware, Inc. Pella® is a registered trademark of Pella Corporation. Sierra Pacific Windows® is a registered trademark of Sierra Pacific Industries. Superior® is a registered trademark of Superior Engineered Products Corporation. Willmar® is a registered trademark of JELD-WEN of Canada Ltd. Andersen® is a registered trademark of Andersen Corporation. Trillanium® is a registered trademark of Trillanium. Eagle® is a registered trademark of Eagle Window and Door, Inc. BiltBest® is a registered trademark of BiltBest Windows and Patio Doors. Ashland® is a registered trademark of Ashland Products, Inc. Caradco®, JELD-WEN, Norco® and Pozzi® are registered trademarks of JELD-WEN Inc., Oregon, USA. Integrity® and Marvin® are registered trademarks of Marvin Windows and Doors. Milgard® is a registered trademark of Milgard Windows, Inc. Therma-Tru® is a registered trademark of Therma-Tru Doors®. HOPPE® is a registered trademark of HOPPE North America, Inc. Hurd® is a registered trademark of Hurd Millwork Company. Kolbe & Kolbe® is a registered trademark of Kolbe & Kolbe Millwork Company, Inc. Lincoln® is a registered trademark of Lincoln Wood Products, Inc. Loewen® is a registered trademark of Loewen Windows. PGT® is a registered trademark of PGT Industries. Peachtree® and Vetter® are registered trademark of The Peachtree Companies, Inc. Semco® is a registered trademark of Semling-Menke Co. Inc. Weathershield® is a registered trademark of Weathershield Mfg. Inc. KML by Andersen® is a registered trademark of KML by Andersen. Atrium® is a registered trademark of Atrium. KfV® is a registered trademark of KfV. Simpson® is a registered trademark of Simpson. Signature® is a registered trademark of Signature. Crestline® is a registered trademark of Crestline. Winsor® is a registered trademark of Winsor. W&F MANUFACTURING® is a registered trademark of W&F MANUFACTURING. None of the aforementioned companies are affiliated with Emtek Products, Inc.

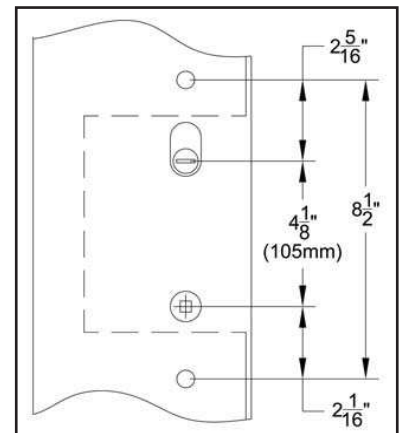
**Choose trimsets for seven door and lock configurations.**  
**Both keyed and non-keyed functions available for each configuration**



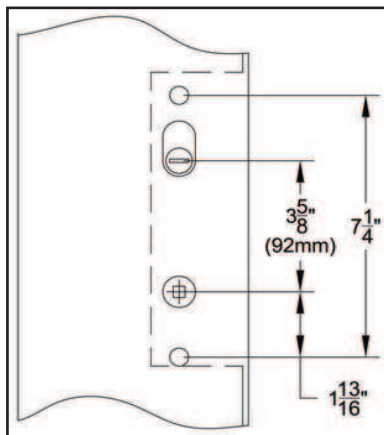
Door Configuration #1  
 American Cylinder Below Handle  
 3<sup>5</sup>/<sub>8</sub>" Center to Center



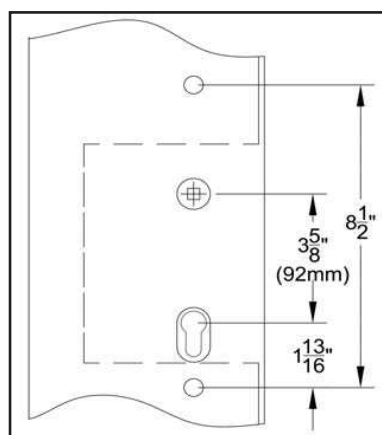
Door Configuration #2  
 American Cylinder Above Handle  
 3<sup>5</sup>/<sub>8</sub>" Center to Center



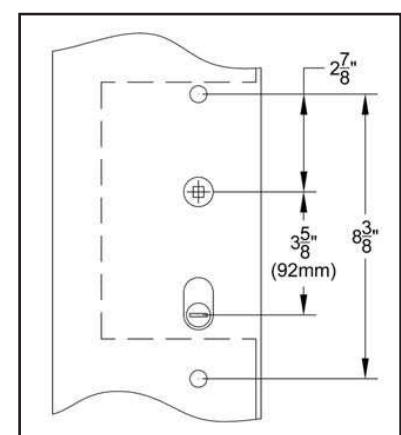
Door Configuration #3  
 American Cylinder Above Handle  
 4<sup>1</sup>/<sub>8</sub>" Center to Center



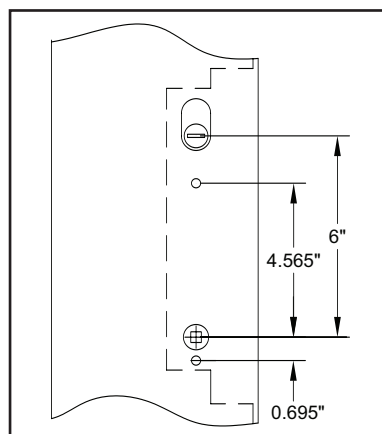
Door Configuration #4  
 American Cylinder Above Handle  
 3<sup>5</sup>/<sub>8</sub>" Center to Center



Door Configuration #5  
 Euro Profile Cylinder Below Handle  
 3<sup>5</sup>/<sub>8</sub>" Center to Center



Door Configuration #6  
 American Cylinder Below Handle  
 3<sup>5</sup>/<sub>8</sub>" Center to Center



Door Configuration #7  
 American Cylinder Hub Above Handle  
 6" Center to Center